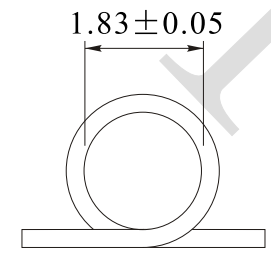
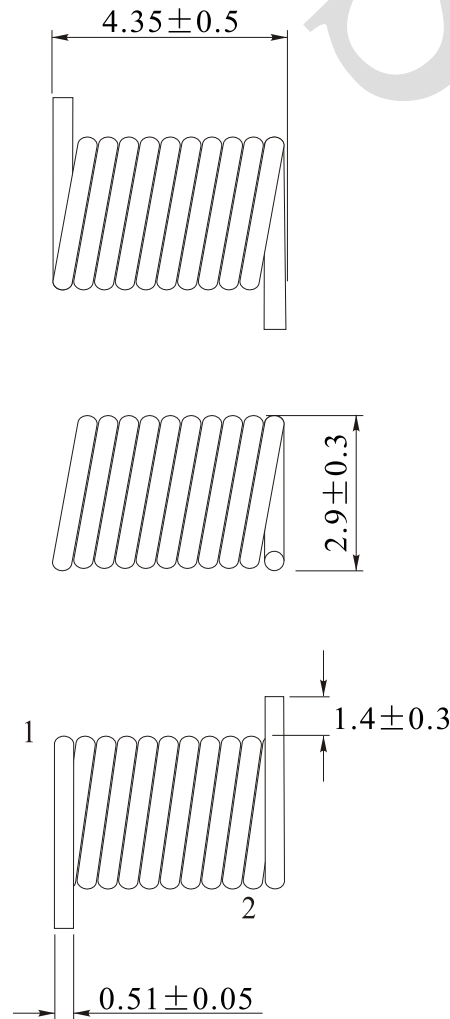
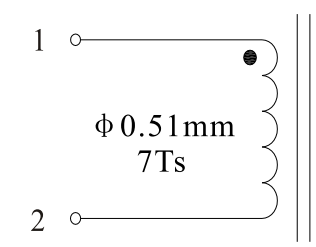


Rev.	Description	Date
A0	New release	2020.12.25

1. PHYSICAL CHARACTERISTICS (mm)



2. ELECTRONICAL SCHEMATIC



Operating temperature range: -40°C to $+125^{\circ}\text{C}$

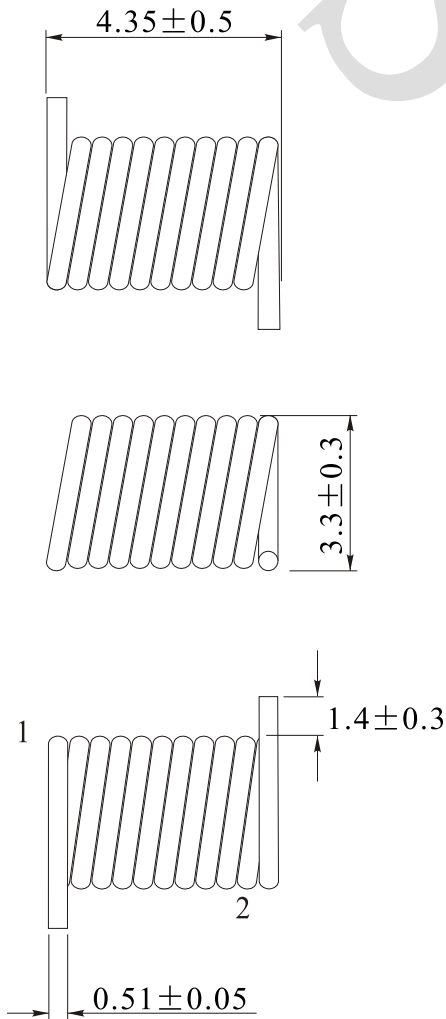
(include temp. rise 40°C)

Storage temperature range: -40°C to $+85^{\circ}\text{C}$

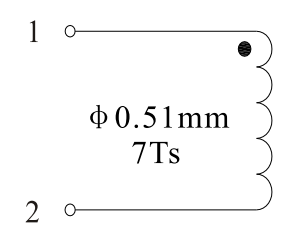
NAME:	Air-core coil		
CUSTOMER P/N:	118030	DATE:	2020-12-25
SHINHOM P/N:	SMAR4329-1.83	REV: A0	PAGE
DRAWN BY	CHECKED BY	APPROVE BY	

Rev.	Description	Date
A0	New release	2020.12.25

1. PHYSICAL CHARACTERISTICS (mm)



2. ELECTRONICAL SCHEMATIC



Operating temperature range: -40°C to $+125^{\circ}\text{C}$

(include temp. rise 40°C)

Storage temperature range: -40°C to $+85^{\circ}\text{C}$

NAME:	Air-core coil		
CUSTOMER P/N:	118031	DATE:	2020-12-25
SHINHOM P/N:	SMAR4333-2.16	REV: A0	PAGE
DRAWN BY	CHECKED BY	APPROVE BY	

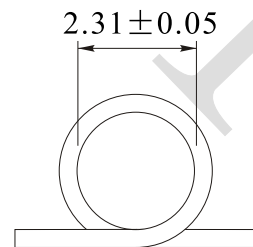
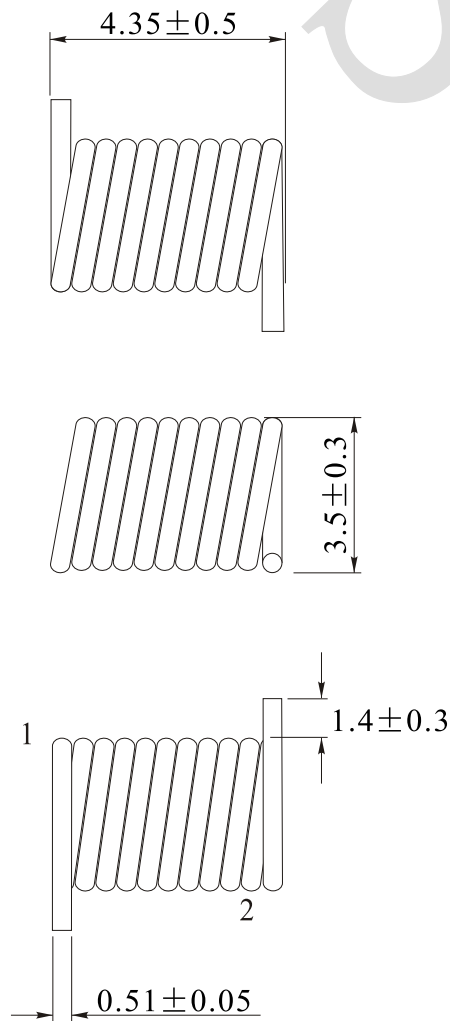


SHINHOM
SHAANXISHINHOM ENTERPRISE CO LTD

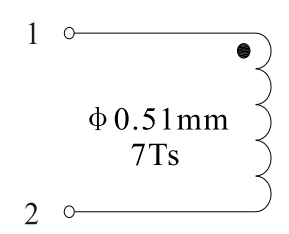
The Document property belong to SHINHOM & is not allowed to be duplicated without authorization

Rev.	Description	Date
A0	New release	2020.12.25

1. PHYSICAL CHARACTERISTICS (mm)



2. ELECTRONICAL SCHEMATIC



Operating temperature range: -40°C to $+125^{\circ}\text{C}$

(include temp. rise 40°C)

Storage temperature range: -40°C to $+85^{\circ}\text{C}$

NAME:	Air-core coil		
CUSTOMER P/N:	118029	DATE:	2020-12-25
SHINHOM P/N:	SMAR4335-2.31	REV: A0	PAGE
DRAWN BY	CHECKED BY	APPROVE BY	

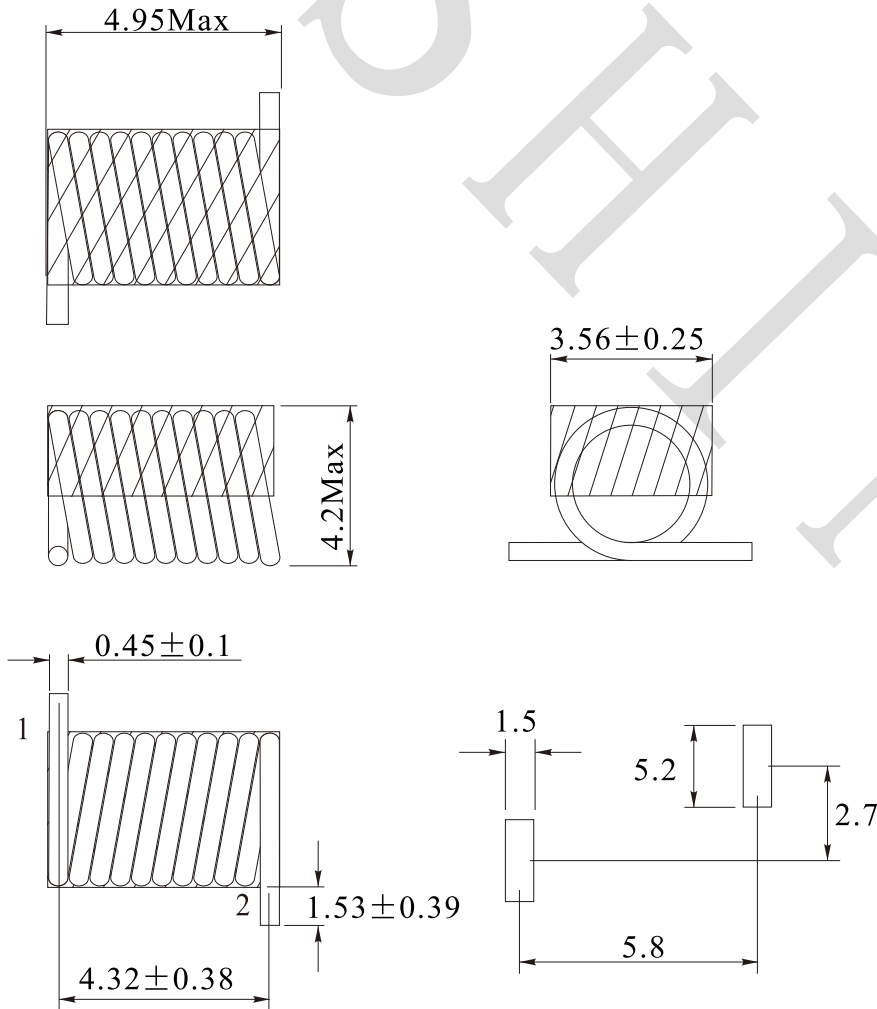


SHINHOM
SHAANXISHINHOM ENTERPRISE CO LTD

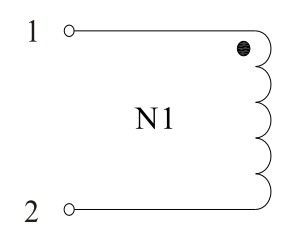
The Document property belong to SHINHOM & is not allowed to be duplicated without authorization

Rev.	Description	Date
A0	New release	2017.03.06

1. PHYSICAL CHARACTERISTICS (mm)



2. ELECTRICAL SCHEMATIC



3. ELECTRICAL SPECIFICATIONS

- L: 47nH ± 5% @ 150MHz, 0.1V
- DCR: 5.6mΩ Max
- IDC: 3.0A Max
- Q: 100Min @ 150MHz
- SRF: 2.1GHz Min
- Operating temperature range: -40°C to +85°C
- Storage temperature range: -40°C to +85°C

Test Instrument:

- L: HP4291A
- RDC: HM2540

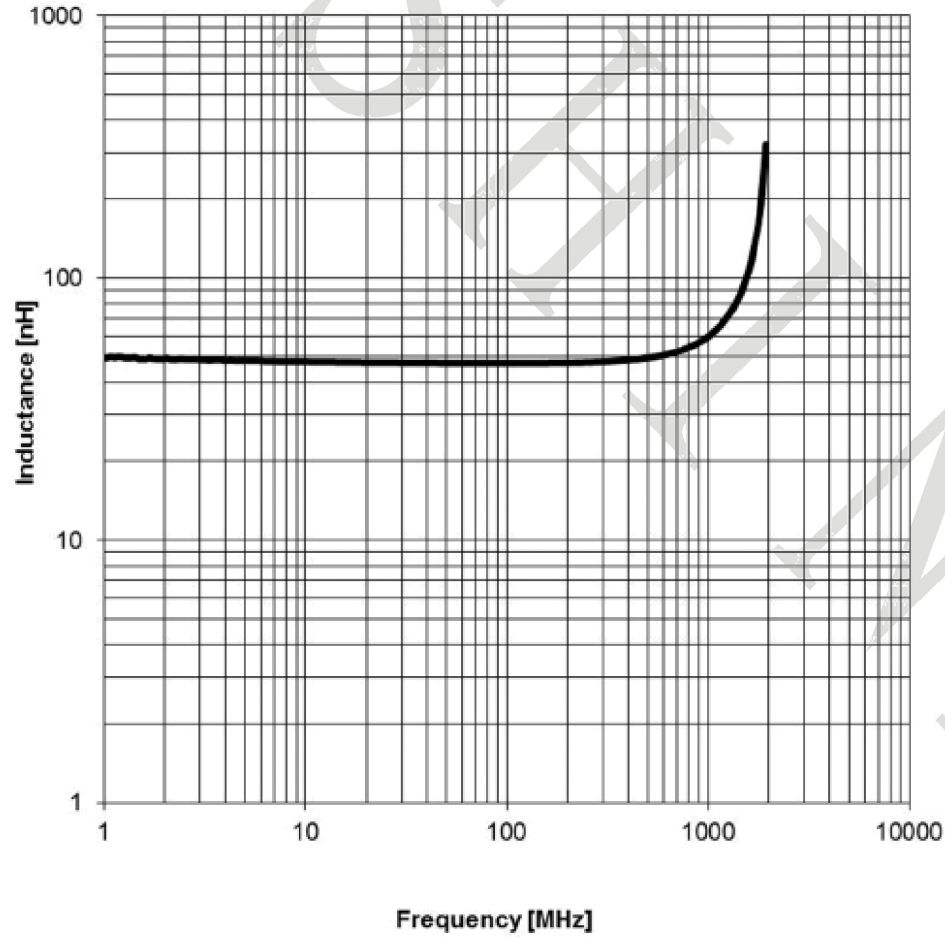
NAME:	Air-core coil		
CUSTOMER P/N:		DATE:	2017-03-06
SHINHOM P/N:	SMAR5040-47NJ	REV: A0	PAGE
DRAWN BY	CHECKED BY	APPROVE BY	



SHINHOM
SHAANXISHINHOM ENTERPRISE CO LTD

The Document property belong to SHINHOM & is not allowed to be duplicated without authorization

Inductance vs Frequency



NAME:	Air-core coil		
CUSTOMER P/N:		DATE:	2017-03-06
SHINHOM P/N:	SMAR5040-47NJ	REV: A0	PAGE
DRAWN BY	CHECKED BY	APPROVE BY	

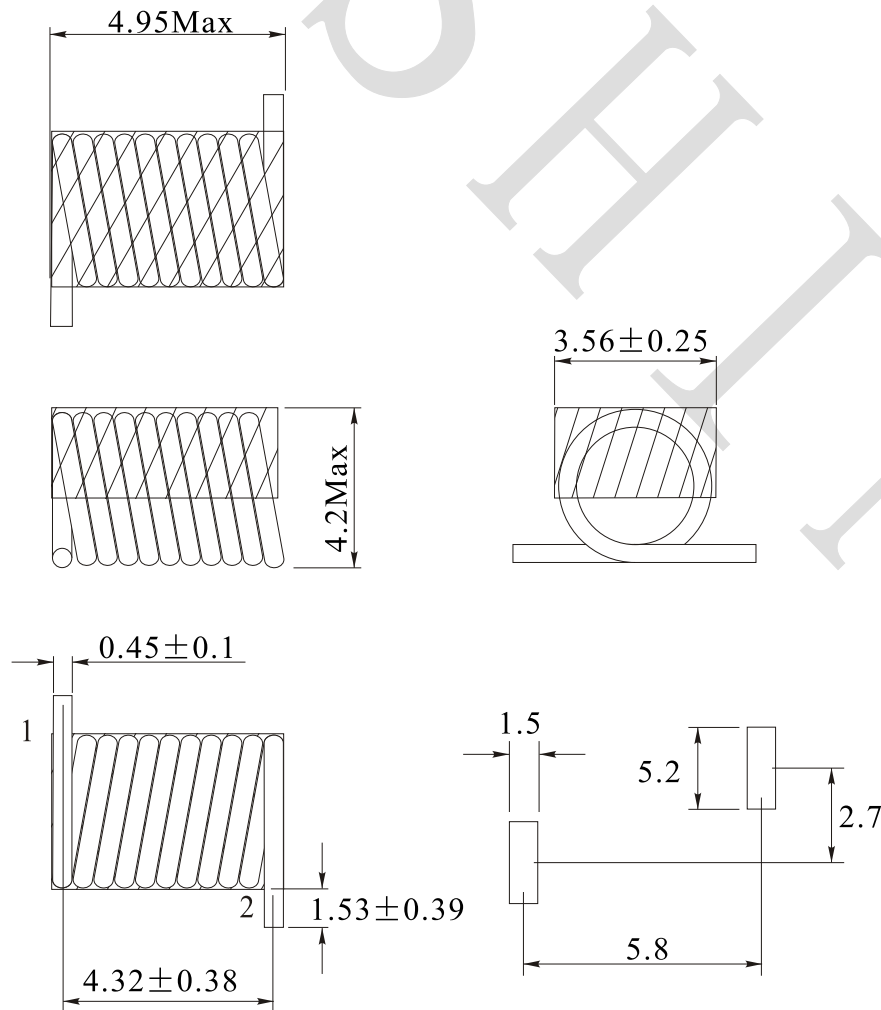


SHINHOM
SHAANXISHINHOM ENTERPRISE CO LTD

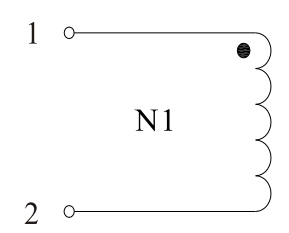
The Document property belong to SHINHOM & is not allowed to be duplicated without authorization

Rev.	Description	Date
A0	New release	2017.03.06

1. PHYSICAL CHARACTERISTICS (mm)



2. ELECTRONICAL SCHEMATIC



3. ELECTRONICAL SPECIFICATIONS

- L: 68nH ± 5% @ 150MHz, 0.1V
- DCR: 8.2mΩ Max
- IDC: 2.5A Max
- Q: 100Min @ 150MHz
- SRF: 1.5GHz Min
- Operating temperature range: -40°C to +85°C
- Storage temperature range: -40°C to +85°C

Test Instrument:

- L: HP4291A
- RDC: HM2540

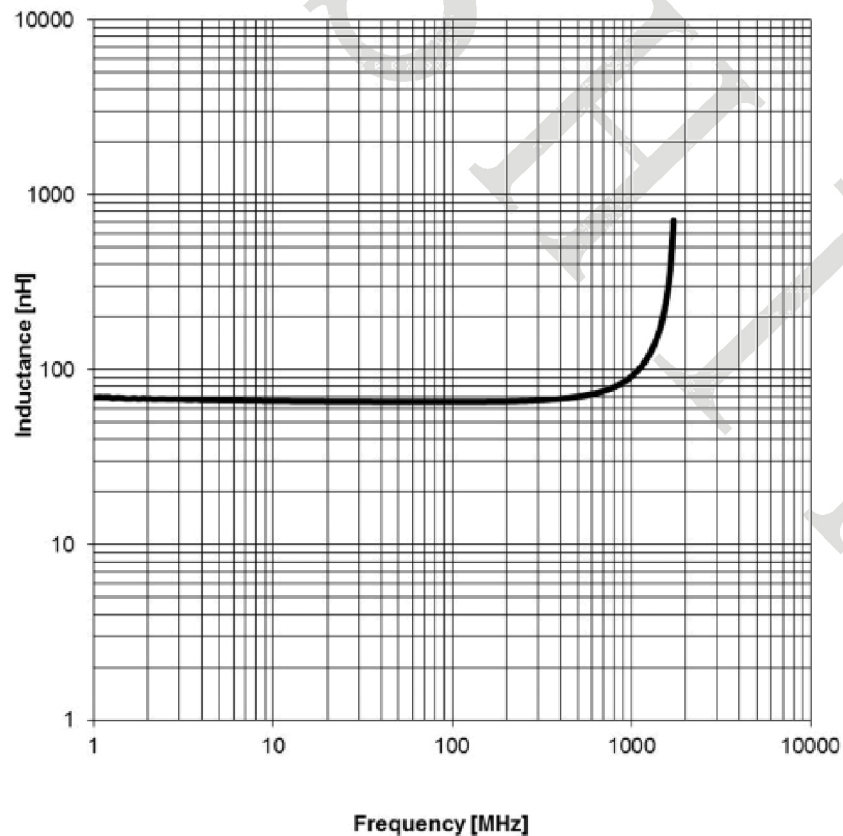
NAME:	Air-core coil		
CUSTOMER P/N:		DATE:	2017-03-06
SHINHOM P/N:	SMAR5040-68NJ	REV: A0	PAGE
DRAWN BY	CHECKED BY	APPROVE BY	



SHINHOM
SHAANXISHINHOM ENTERPRISE CO LTD

The Document property belong to SHINHOM & is not allowed to be duplicated without authorization

Inductance vs Frequency



NAME:	Air-core coil		
CUSTOMER P/N:		DATE:	2017-03-06
SHINHOM P/N:	SMAR5040-68NJ	REV: A0	PAGE
DRAWN BY	CHECKED BY	APPROVE BY	

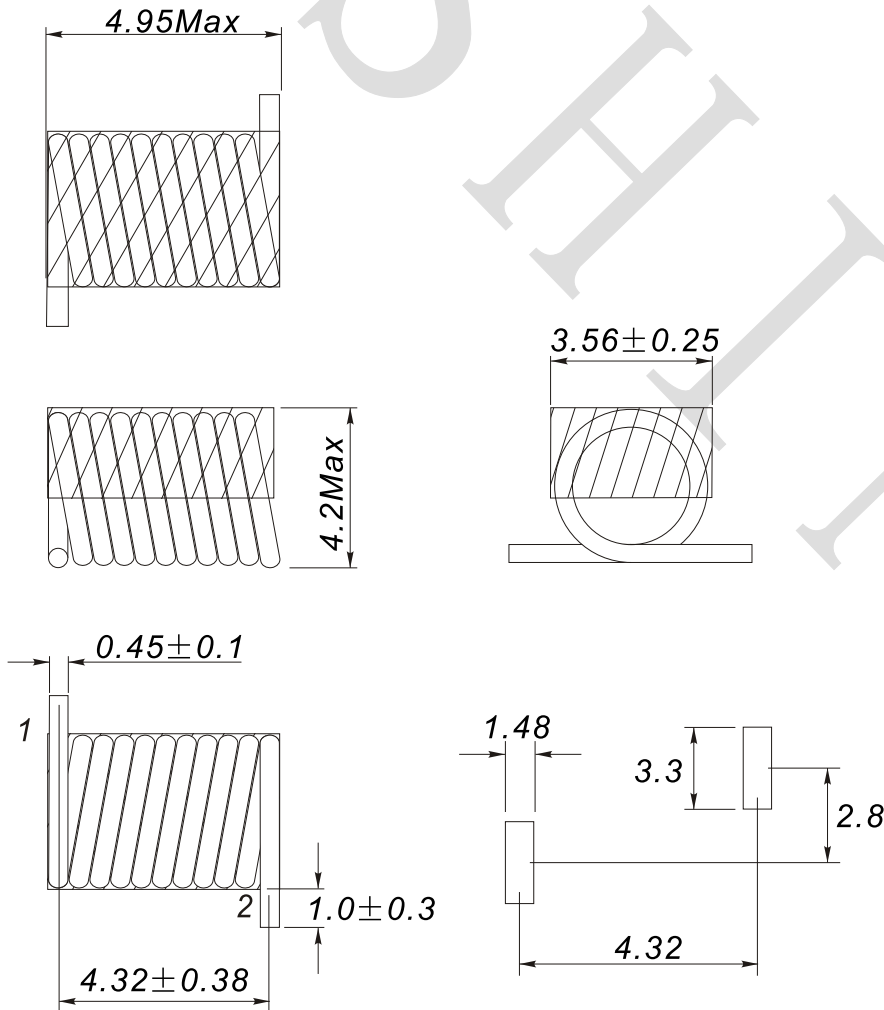


SHINHOM
SHAANXISHINHOM ENTERPRISE CO LTD

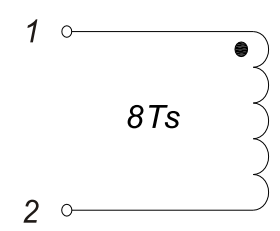
The Document property belong to SHINHOM & is not allowed to be duplicated without authorization

Rev.	Description	Date
A0	New release	2018.11.16

1. PHYSICAL CHARACTERISTICS (mm)



2. ELECTRONICAL SCHEMATIC



3. ELECTRONICAL SPECIFICATIONS

- L: $82\text{nH} \pm 5\% @ 150\text{MHz}, 0.1\text{V}$
- DCR: $9.4\text{m}\Omega \text{ Max}$
- Rated current: 2.5A Max
- Q: $100\text{Min} @ 150\text{MHz}$
- SRF: 1300MHz Min
- Operating temperature range: $-40^\circ\text{C to } +125^\circ\text{C}$
(include temp. rise 40°C)
- Storage temperature range: $-40^\circ\text{C to } +85^\circ\text{C}$

NAME:	Air-core coil		
CUSTOMER P/N:		DATE:	2018-11-16
SHINHOM P/N:	SMAR5040-82NJ	REV: A0	PAGE
DRAWN BY	CHECKED BY	APPROVE BY	



SHINHOM
SHAANXISHINHOM ENTERPRISE CO LTD

The Document property belong to SHINHOM & is not allowed to be duplicated without authorization